

Pump construction, operating limits and performances

Close-coupled drivers are conventional drivers mounted directly to pumps frame. No base, coupling or guards are required for this mounting style.

- Connections: Threaded NPT and BSP
- Max viscosity: 25000 cSt
- Max system pressure: 50bar standard, 150 bar HP Version. Higher pressure version available on request.
- Flow up: to 80 mc/h
- Head up: to 30 bar
- Temperature range: from -147 °F (-100 °C) to +392 °F (+200 °C)
- Electric motors: from 0,25 kW up to 75 kW
- NEMA and IEC standard available

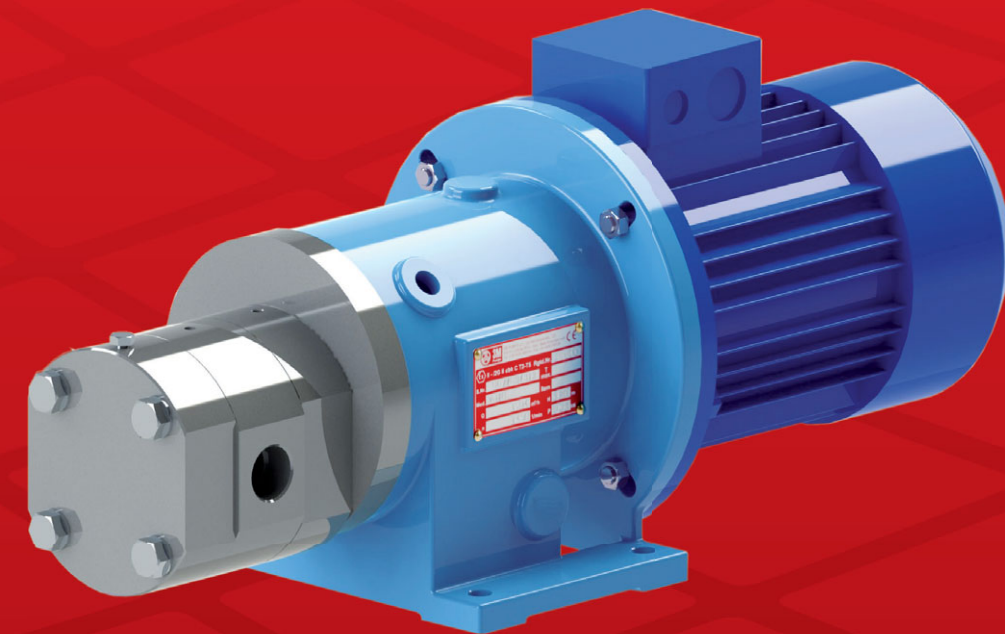
Pumping

- Aggressive, explosive and toxic liquids
- Acids & lyes
- Hydrocarbons
- Heat transfer liquids
- Liquid gases
- Liquids Difficult-to-seal
- Ultrapure liquids

Applications

- Refineries
- Chemical and petrochemical industries
- Refrigeration and heat engineering
- Liquid gas plants
- Galvanic engineering
- Power stations
- Tank installations
- Pharmaceutical industries
- Fibers industries

SEALLESS MAG DRIVE CHEMICAL GEAR PUMPS, NO MECHANICAL SEAL



GS MAG-M

Manufactured by:



A unit of
Mischiatti
GROUP

M PUMPS s.r.l. - Via dell'Artigianato, 120
45015 Corbola (Ro) - Italy - www.mpumps.it
Tel. +39 0426 346304 - Fax +39 0426 349126

For more information please contact:



GS MAG-M Series

The separation of liquid chamber/atmosphere by means of an isolation shell is the best solution to pump aggressive, explosive and toxic liquids, hydrocarbons, heat transfer liquids and liquids difficult to seal.

The hermetic sealless is the best solution for the chemical, pharmaceutical and petrochemical industry.

A wide range of pumps covers the different performances.
The best solution for Sampling applications.



PUMP DETAILS

Epoxy primer and polyacrylic enamel water-based painting for the best quality resistance linked to the environmental respect.

Housing & Cover are machined from rolled bar forging that is cut turned, machined and ground into its final shape, thus ensuring maximum hardness as opposed to using cast parts.

Materials:

- AISI 316L (standard)
- Cast Iron G25 (standard)
- Hastelloy® C276,
- Incoloy® 825,
- Duplex,
- Other on request.

The bearings are aided by a metal backing to increase resistance especially for corrosive environments. A PTFE lining is coated into the ID of the bearings forming a solid lubricant film.

PTFE plates are installed to reduce wear.

QUICK REPLACE KIT to guarantee an easy and fast maintenance.

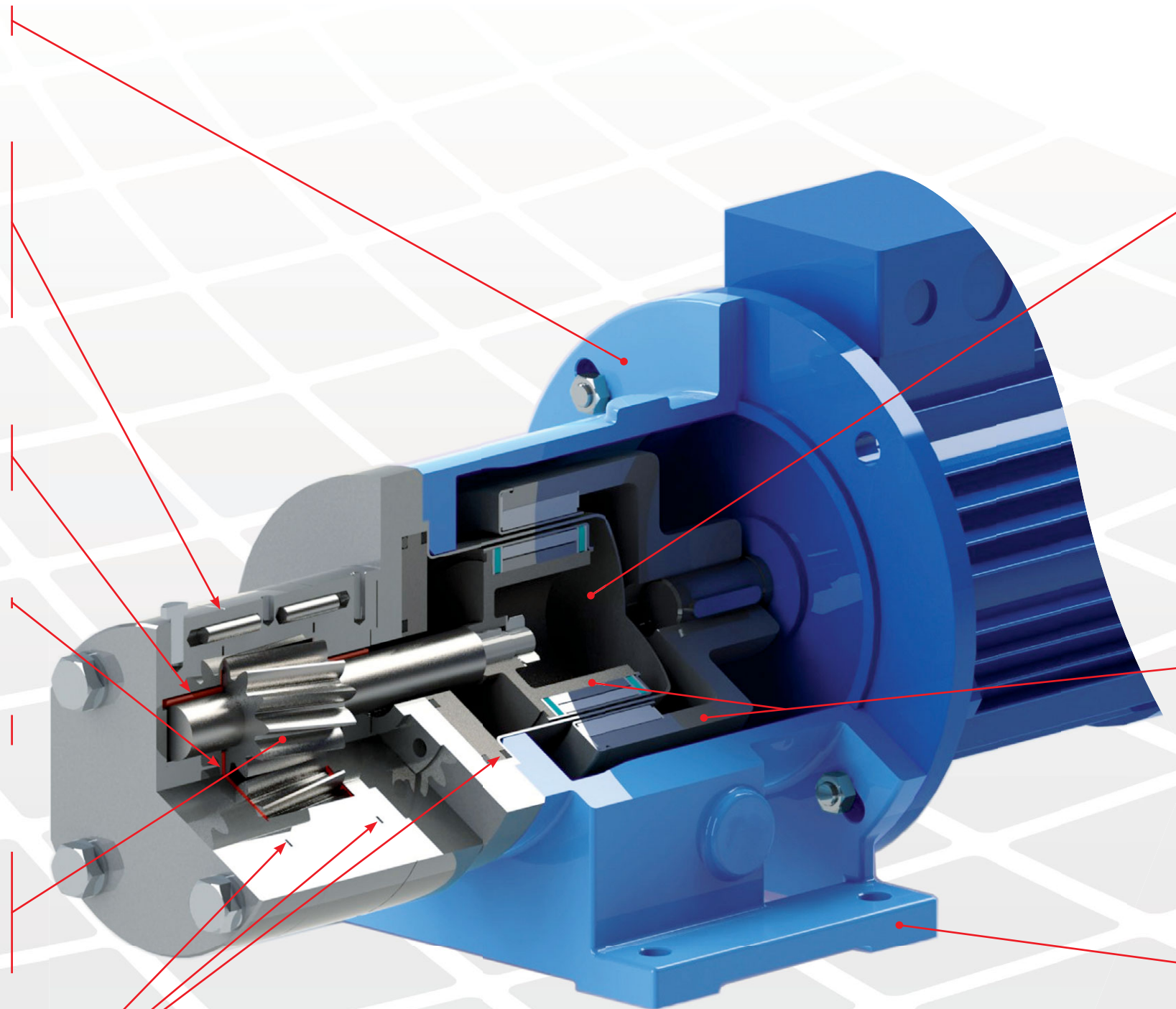
Rotors are achieved from rolled bar forging that is cut, turned and ground into its final shape as opposed to using cast parts, thus ensuring maximum hardness.

The material adopted in standard executions are S31803 Duplex for AISI 316L construction and 39 NiCrMo3 for cast iron construction.

Other materials on request.

The sealing system with O-Rings prevents from leaking in the atmosphere different materials available:

- Viton® (standard)
- EPDM
- FEP



The rear shell is made of one single piece, no welding, ellipsoidal profile that has been studied to withstand higher pressures than the traditional one.

Available two versions, AISI 316 the standard construction, and Hastelloy® C276 for high pressure version - providing a safe and efficient solution - system pressure max 150bar.

Titanium Alloy is an upgrade when higher pressure ratings and increased efficiency are required.



High power synchronous magnetic coupling designed by our Technical Office and with rare earth magnetic elements mechanically locked.

The high performance magnets can operate at liquid temperature of up to 200 °C (392 °F).

The pump can be supply with aluminium bracket with IEC B3-B5 motor or with a robust WCB foot mounted bracket that allows IEC B5 standard motor.

Connections available:
Threaded BSP(GAS) or NPT.
Flanged according to ANSI 150#, 300#, DIN PN16.